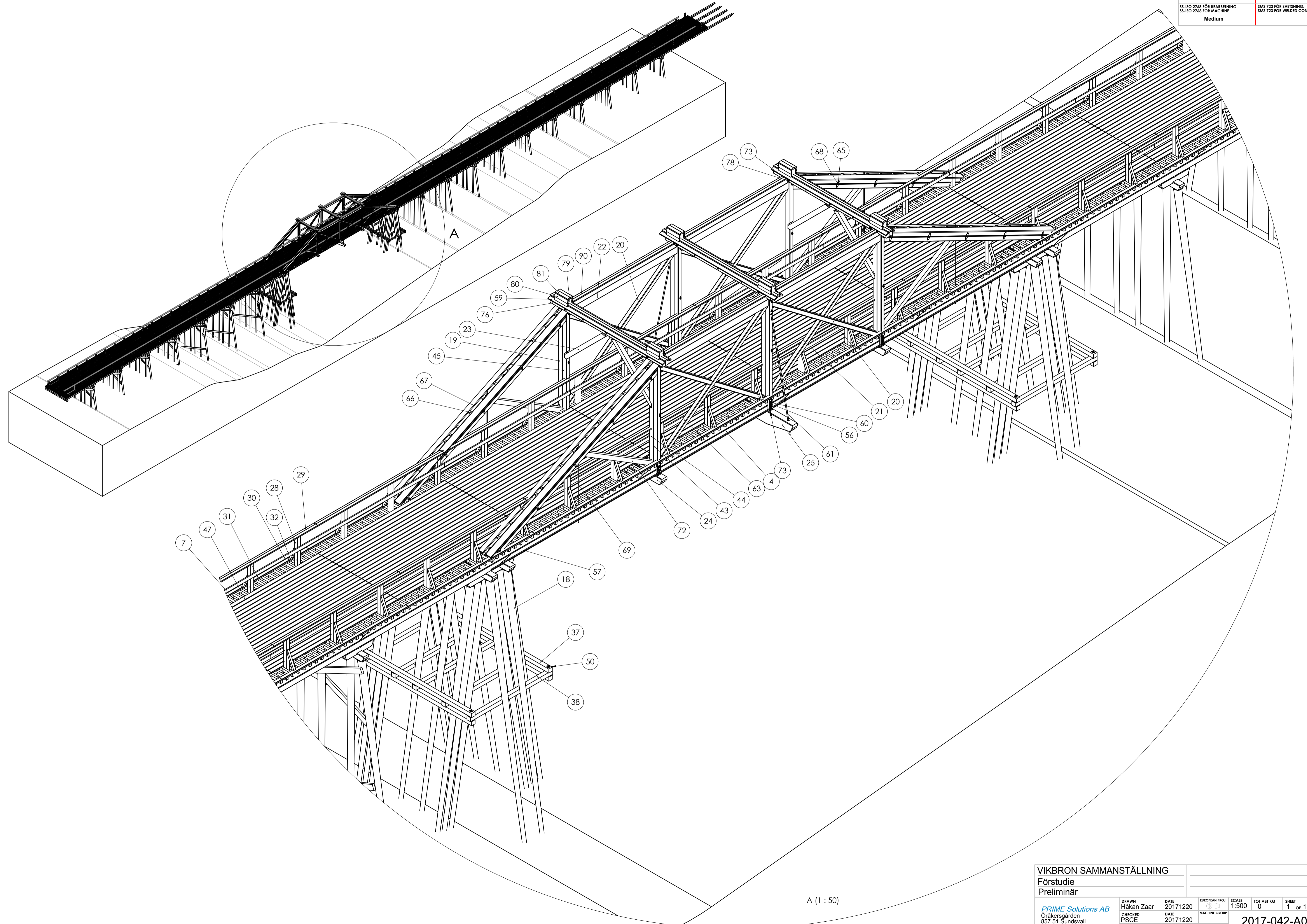


DÄR TOLERANS EJ UTDRAGS GÄLLER:
 WHERE TOLERANCE NOT MENTIONED:
 SS-ISO 2768 FOR BEARBEITNING
 SS-ISO 2768 FOR MACHINE
 Medium

TOLERANSYSTEM ENLIGT ISO
 TOLERANCE SYSTEM ACC TO ISO
 SMS 723 FÖR SVETSNING:
 SMS 723 FOR WELDED CONSTRUCTIONS:



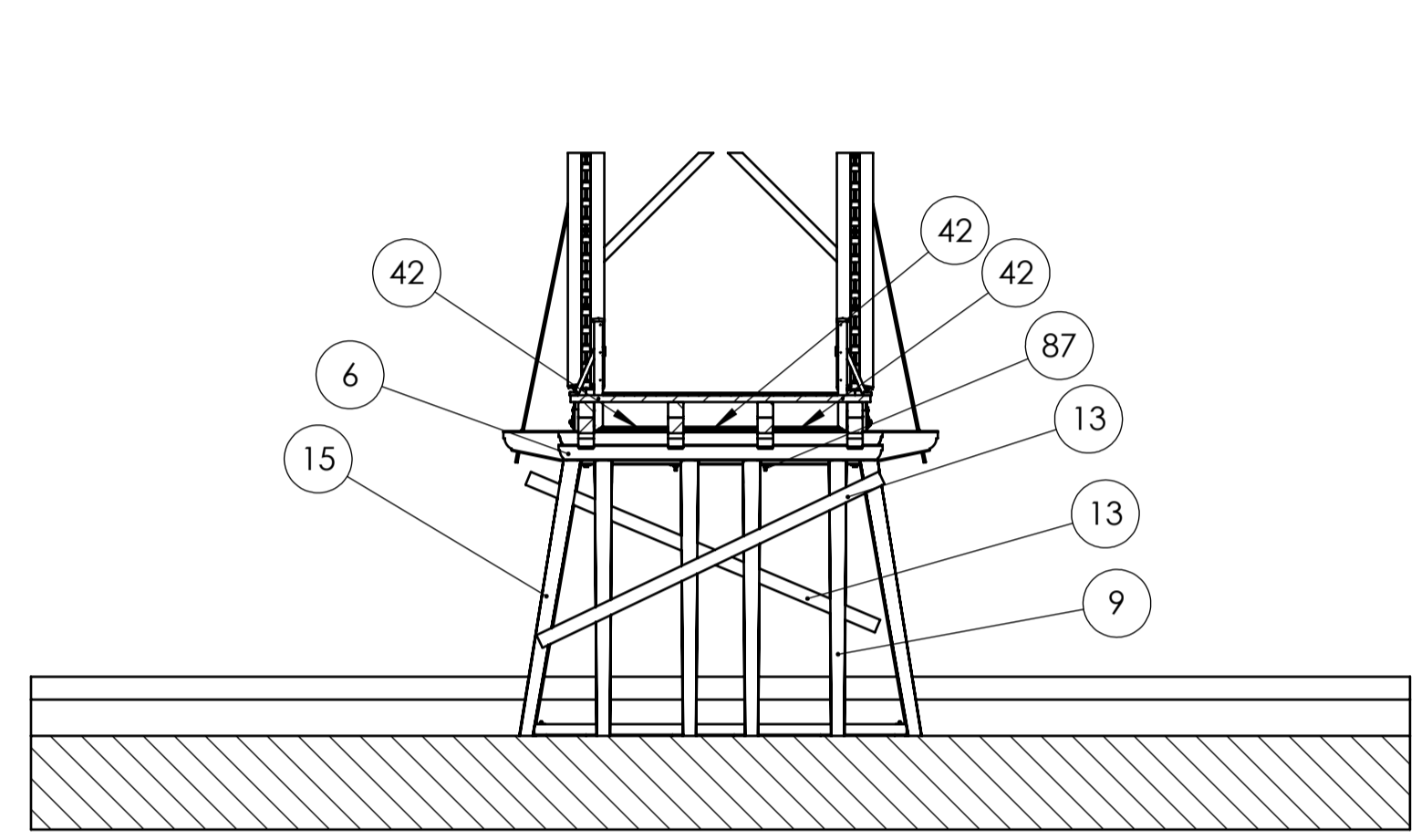
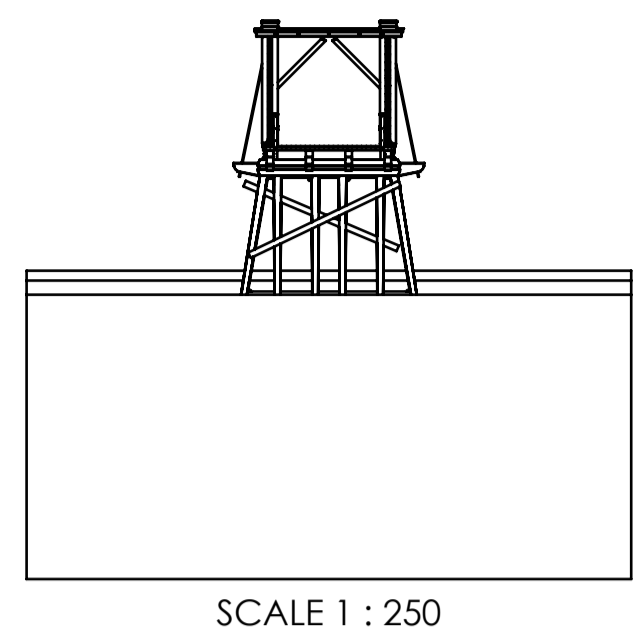
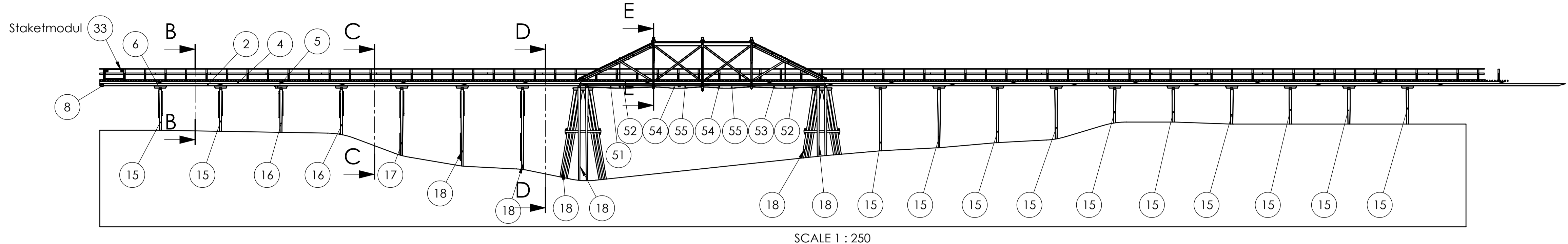
A (1 : 50)

| | | | | | |
|--|------------------------|------------------|---------------------------------|----------------------|-------------------|
| VIKBRON SAMMANSTÄLLNING | | | | | |
| Förstudie | | | | | |
| Preliminär | | | | | |
| PRIME Solutions AB | DRAWN Håkan Zaar | DATE 20171220 | EUROPEAN PROJ. MACHINE GROUP | SCALE 1:500 | TOT. ART. KG 0 |
| Örakersgården 857 51 Sundsvall 070-312 99 40 | CHECKED PSCE | DATE 20171220 | | | |
| | APPROVED Håkan Zaar | DATE 20180212 | DRAWING TYPE Assy | SHEET 1 of 1 | |
| | | | | 2017-042-A001 | |

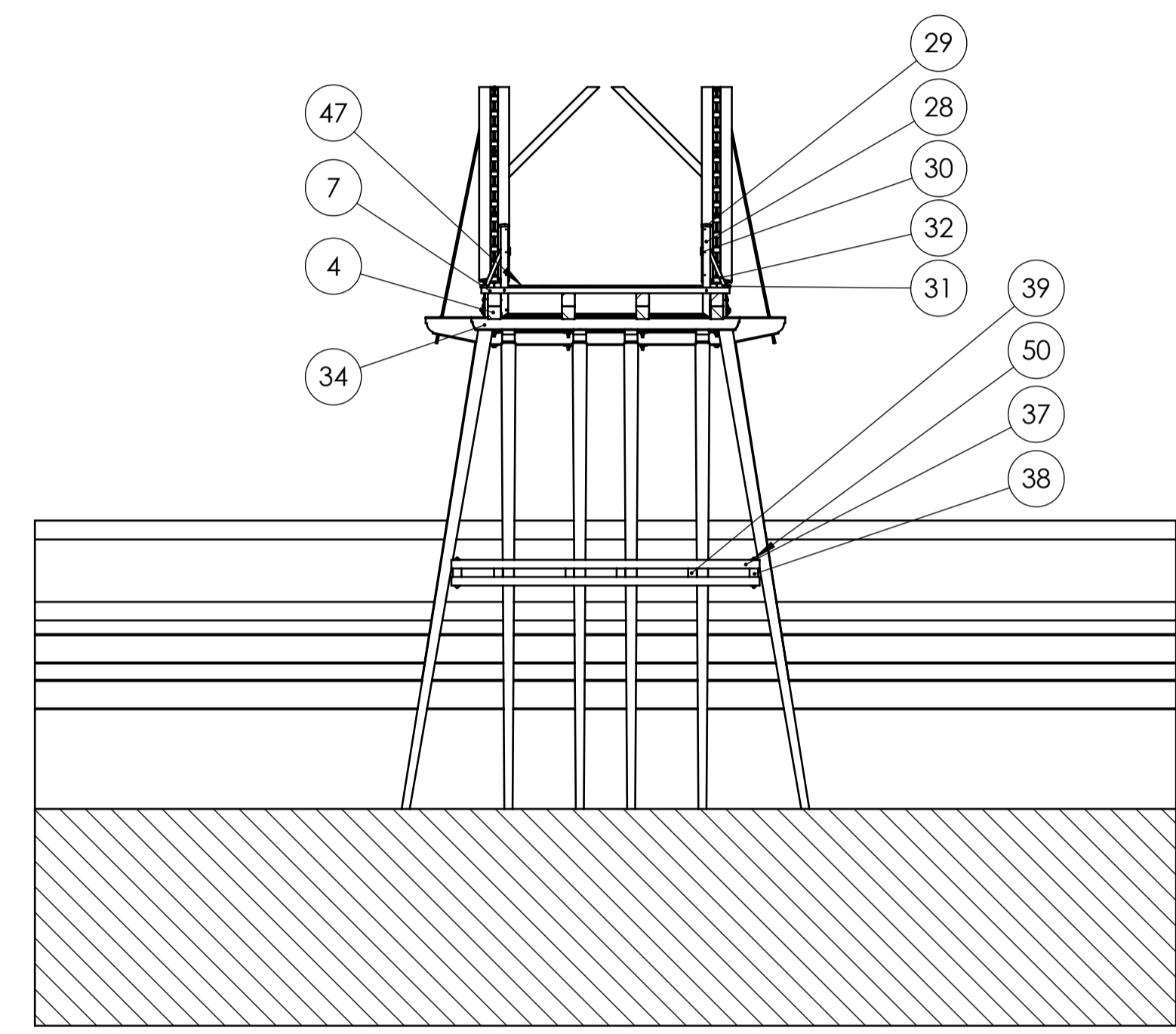
THIS DOCUMENT MUST NOT BE COPIED WITHOUT
 OUR WRITTEN PERMISSION. AND THE CONTENTS
 MAY NOT BE USED FOR ANY UNAUTHORIZED PURPOSE.
 CONTRAVENTION WILL BE PROSECUTED.
 PRIME SOLUTIONS AB, SWEDEN

DÄR TOLERANS EJ UTDRAGS GÄLLER:
 WHERE TOLERANCE NOT MENTIONED:
 SS-ISO 2768 FOR BEARBEITNING
 SS-ISO 2768 FOR MACHINE
 Medium

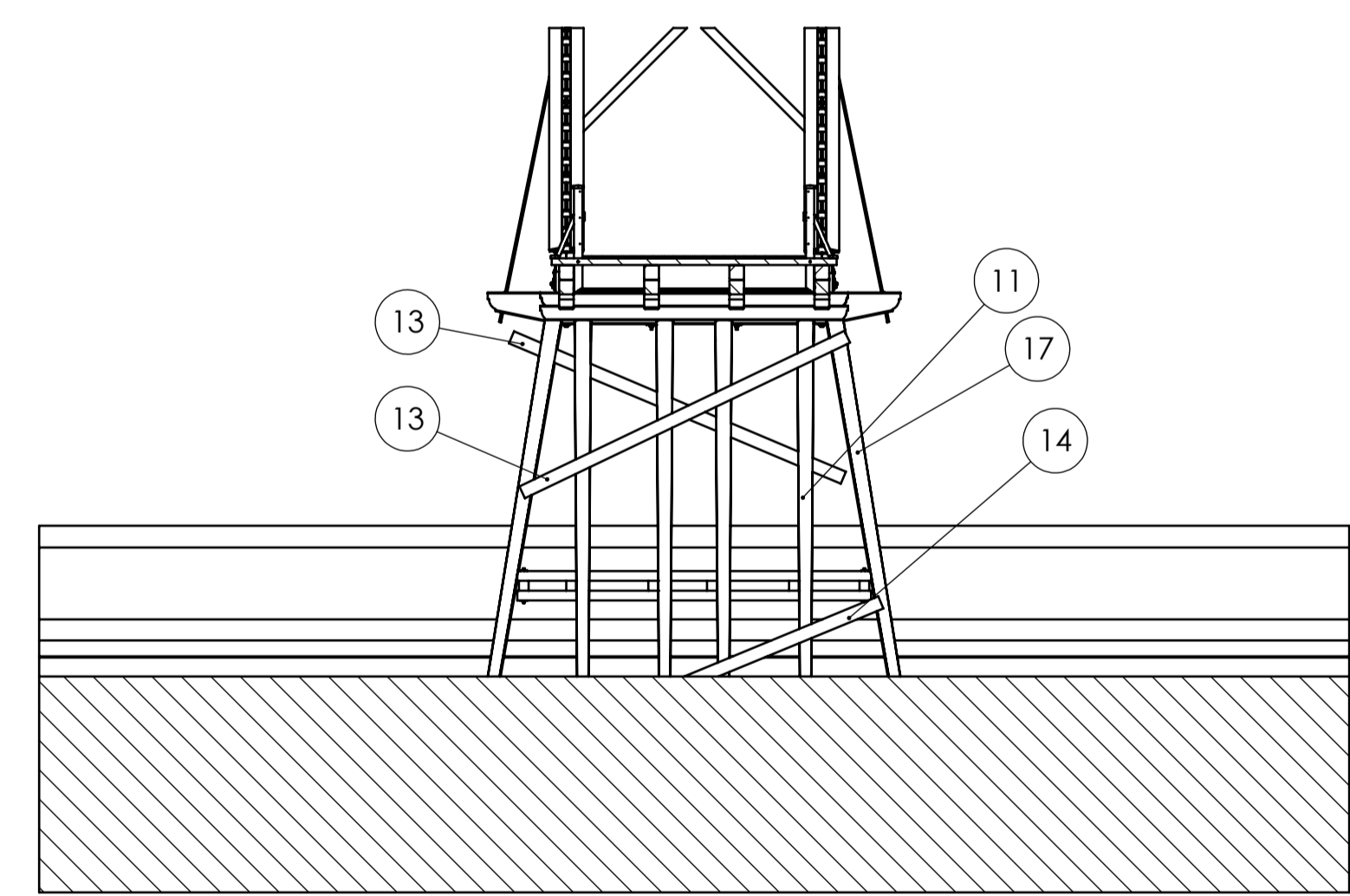
TOLERANSSYSTEM ENLIGT ISO
 TOLERANCE SYSTEM ACC TO ISO
 SMS 723 FÖR SVETSNING
 SMS 723 FOR WELDED CONSTRUCTIONS



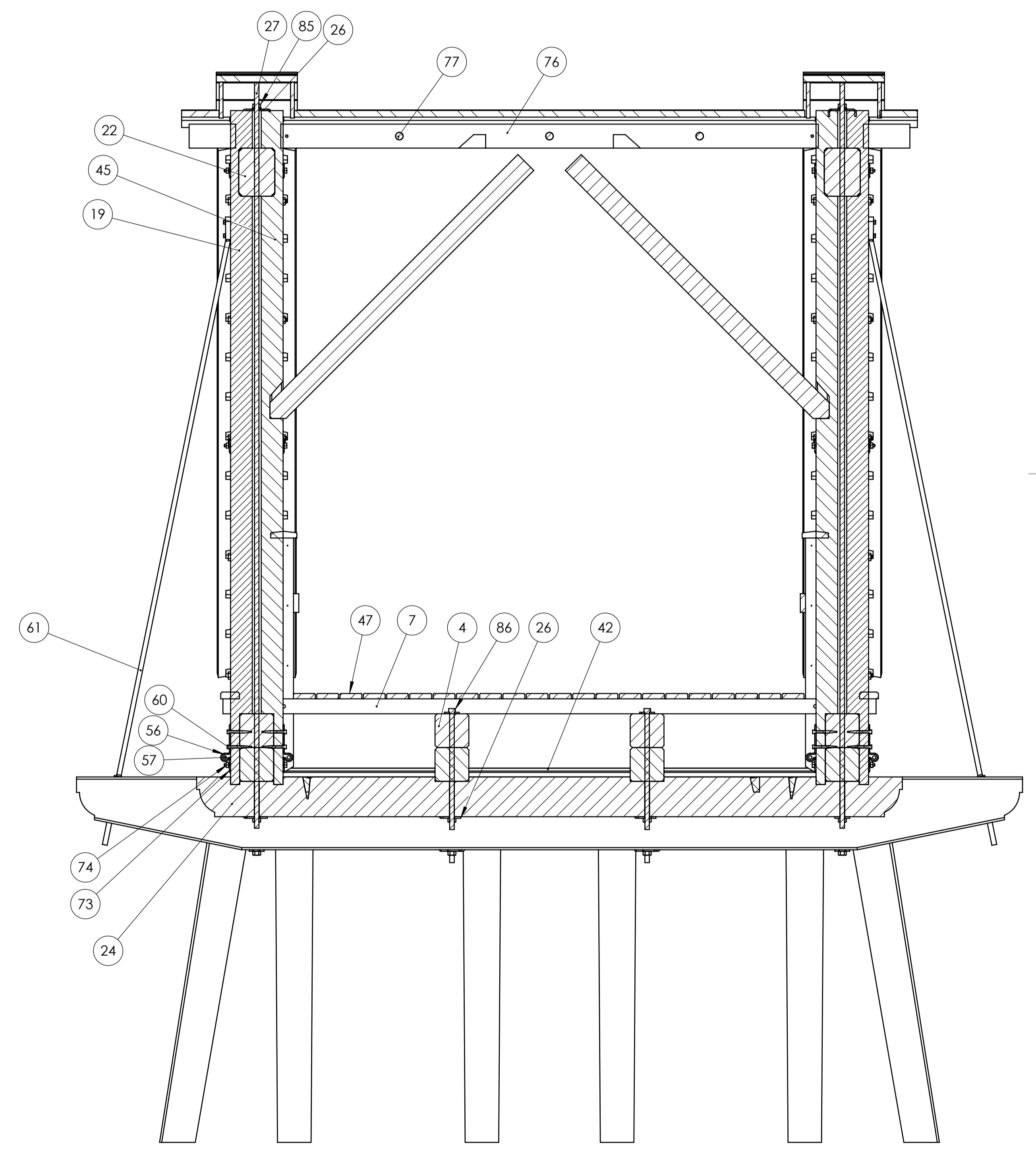
B-B (1 : 100)



D-D (1 : 100)



C-C (1 : 100)



E-E (1 : 20)

| | | | | | | | | | |
|--------------------|--|------------|----------|----------------|-------|--------------|---------------|-----|--|
| Vikbron | | Förstudie | | Preliminär | | | | | |
| PRIME Solutions AB | | DRAWN | DATE | EUROPEAN PROJ. | SCALE | TOT. AWT. KG | SHEET | REV | |
| Örakersgården | | Håkan Zaar | 20171220 | 1:500 | 0 | 2 | of 1 | | |
| 857 51 Sundsvall | | CHECKED | DATE | MACHINE GROUP | | | 2017-042-A001 | | |
| 070-312 99 40 | | PSCE | 20171220 | | | | | | |
| | | APPROVED | DATE | DRAWING TYPE | | | | | |
| | | Håkan Zaar | 20180120 | Assy | | | | | |

THE DOCUMENT MUST NOT BE COPIED WITHOUT
 OUR WRITTEN PERMISSION. AND THE CONTENTS
 MAY NOT BE USED FOR ANY UNAUTHORIZED PURPOSE.
 CONTRAVENTION WILL BE PROSECUTED.
 PRIME SOLUTIONS AB, SWEDEN